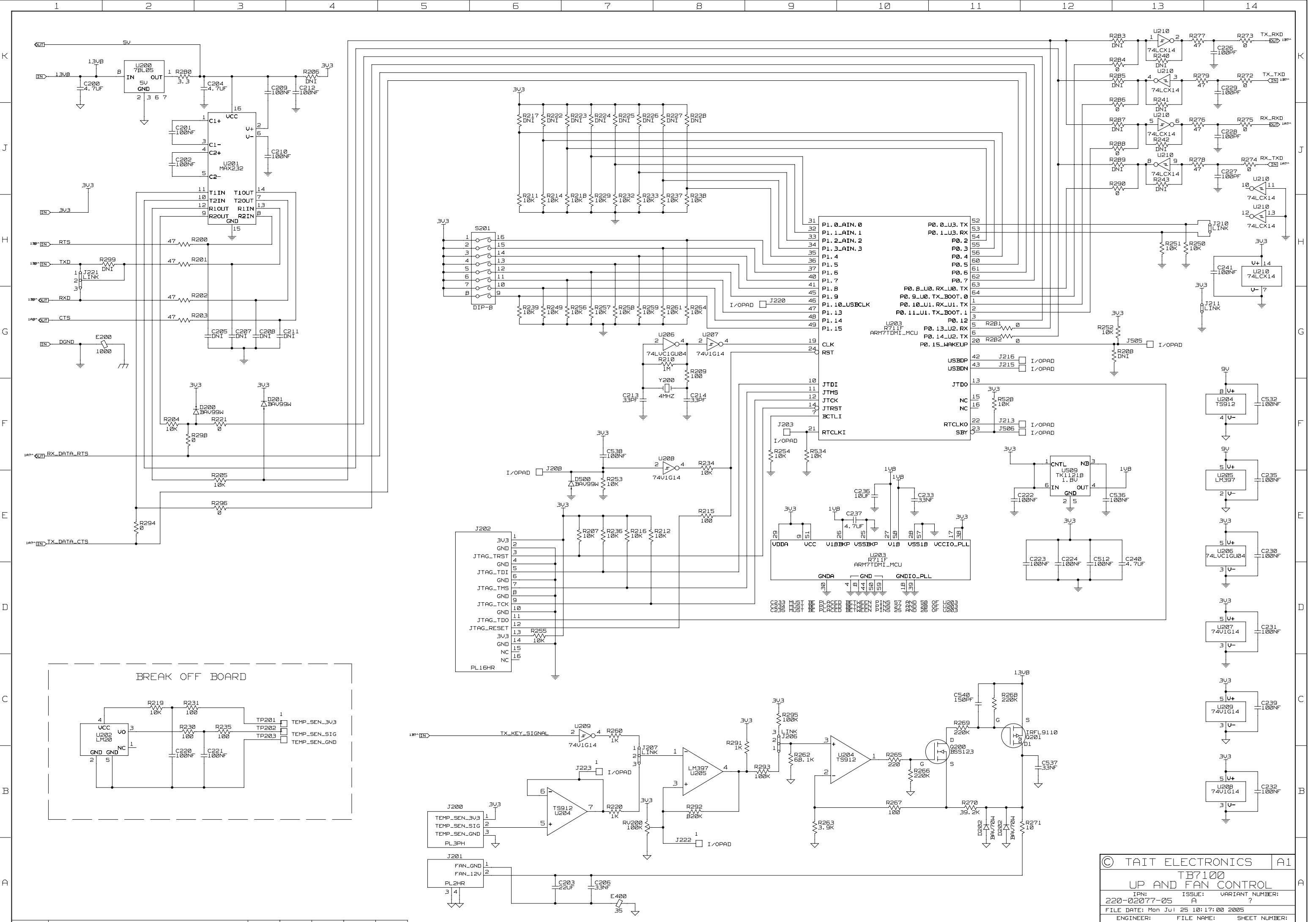


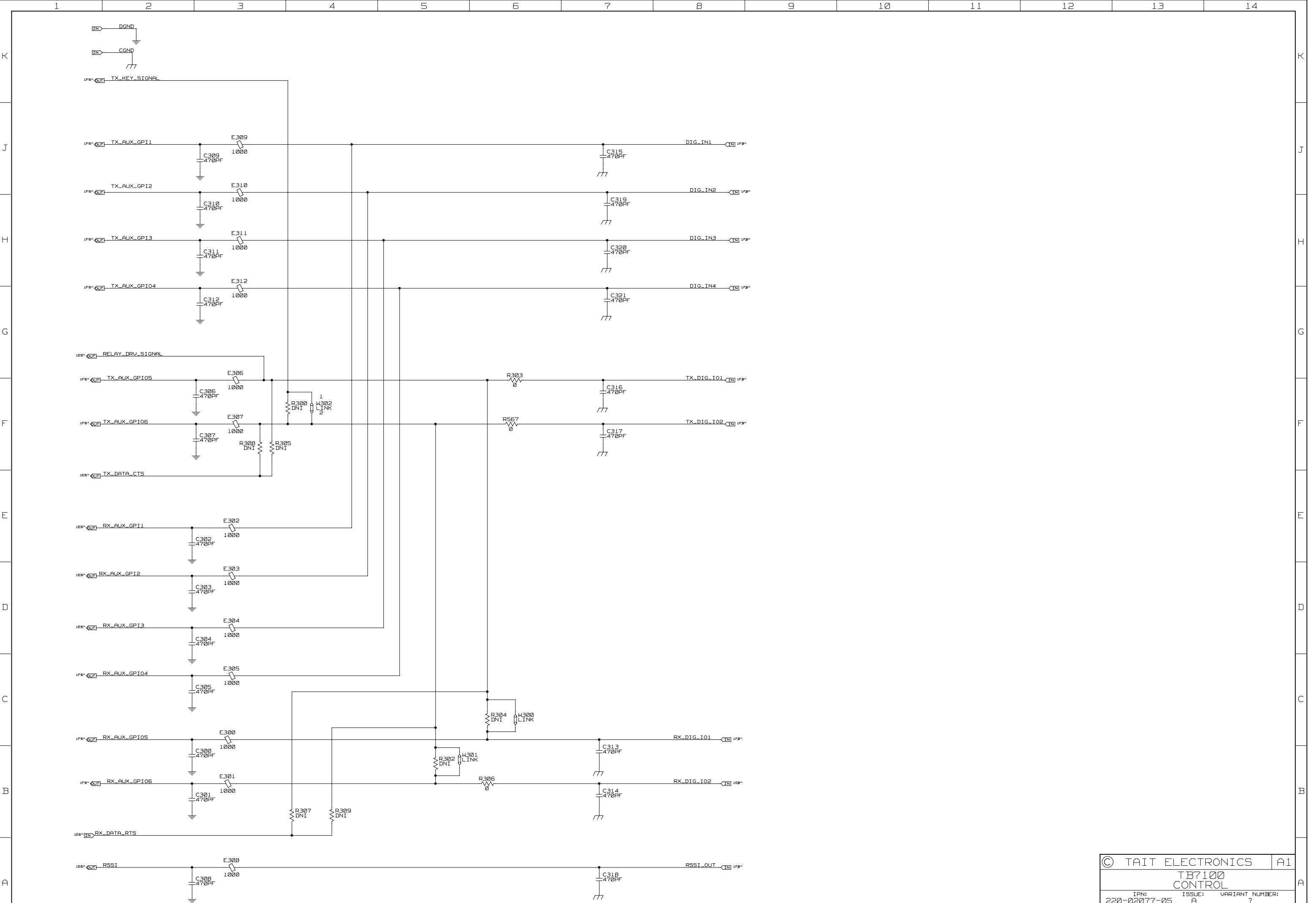
REV/ISS	AMENDMENTS	DRAWN	CHKD	D. O.	APVD	DATE
05A	ECO.	TB	TB	DE	?	20-04-05
04A	DCO. 02077001	MN	TB	CJK	?	20-04-05
03A	MIDIAN CTT ADDED, MICRO UPDATED, REDEIGN OF BOARD	MN	GS/TB	CJK	?	01MAR05
02A	NEW MECH INTERFACE, MINOR CIRCUIT UPDATES	MN	GS/TB	CJK	?	23DEC04
01A	INITIAL DESIGN	MN	GS/TB	ML	?	28OCT05

© TAIT ELECTRONICS		A1
TB7100 SI TOP LEVEL		
IPN:	ISSUE:	VARIANT NUMBER:
220-02077-05	A	?
FILE DATE: Mon Jul 25 10:40:24 2005		
ENGINEER:	FILE NAME:	SHEET NUMBER:
G. S.	220_02077	1 OF 6



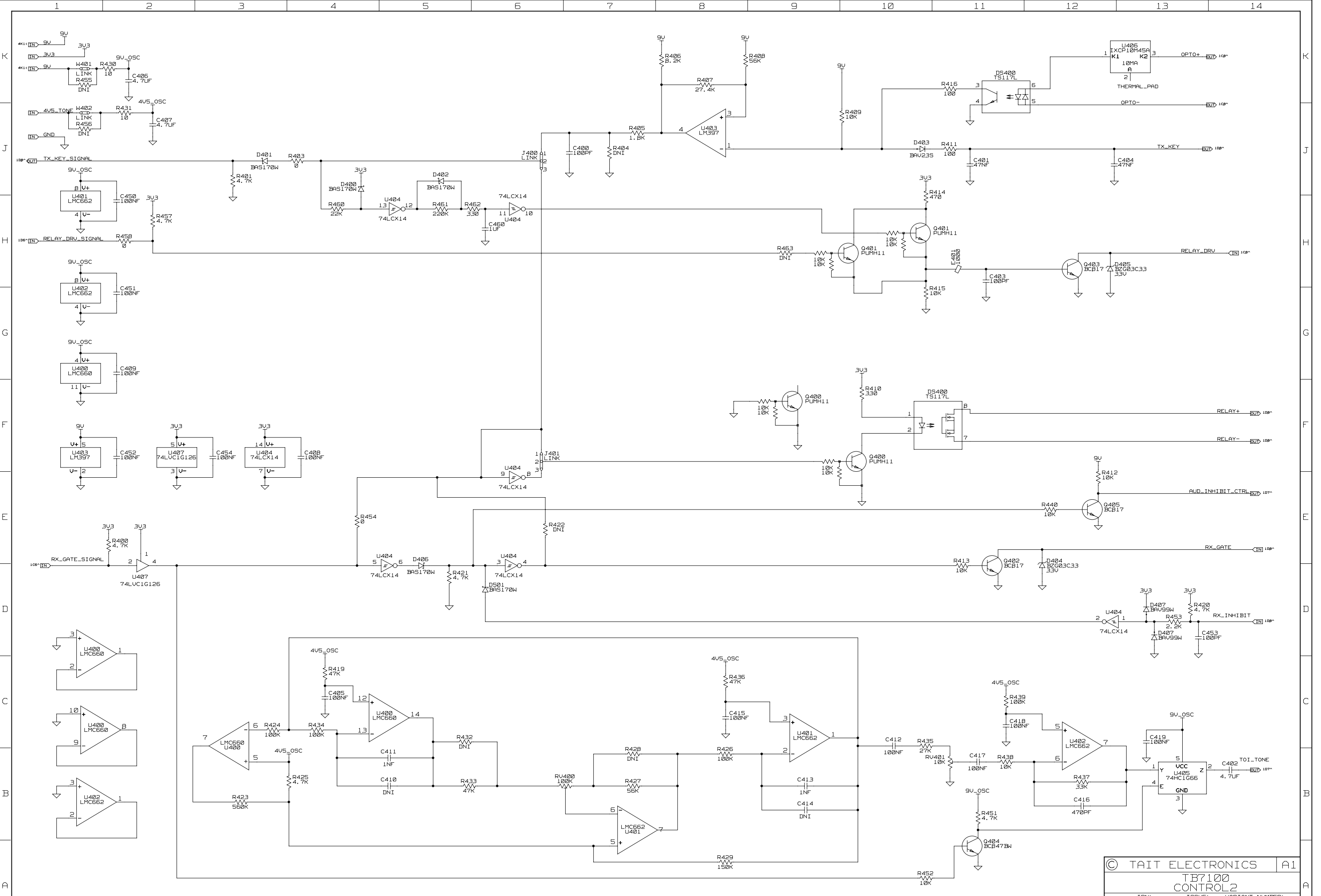
© TAIT ELECTRONICS | A1
TB7100
UP AND FAN CONTROL
 IPN: 220-02077-05 | ISSUE: A | VARIANT NUMBER: ?
 FILE DATE: Mon Jul 25 10:17:00 2005
 ENGINEER: G.S. | FILE NAME: 220_02077 | SHEET NUMBER: 2 OF 6

REV/ISS	AMENDMENTS	DRAWN	CHKD	D.O.	APVD	DATE
1						
2						
3						
4						



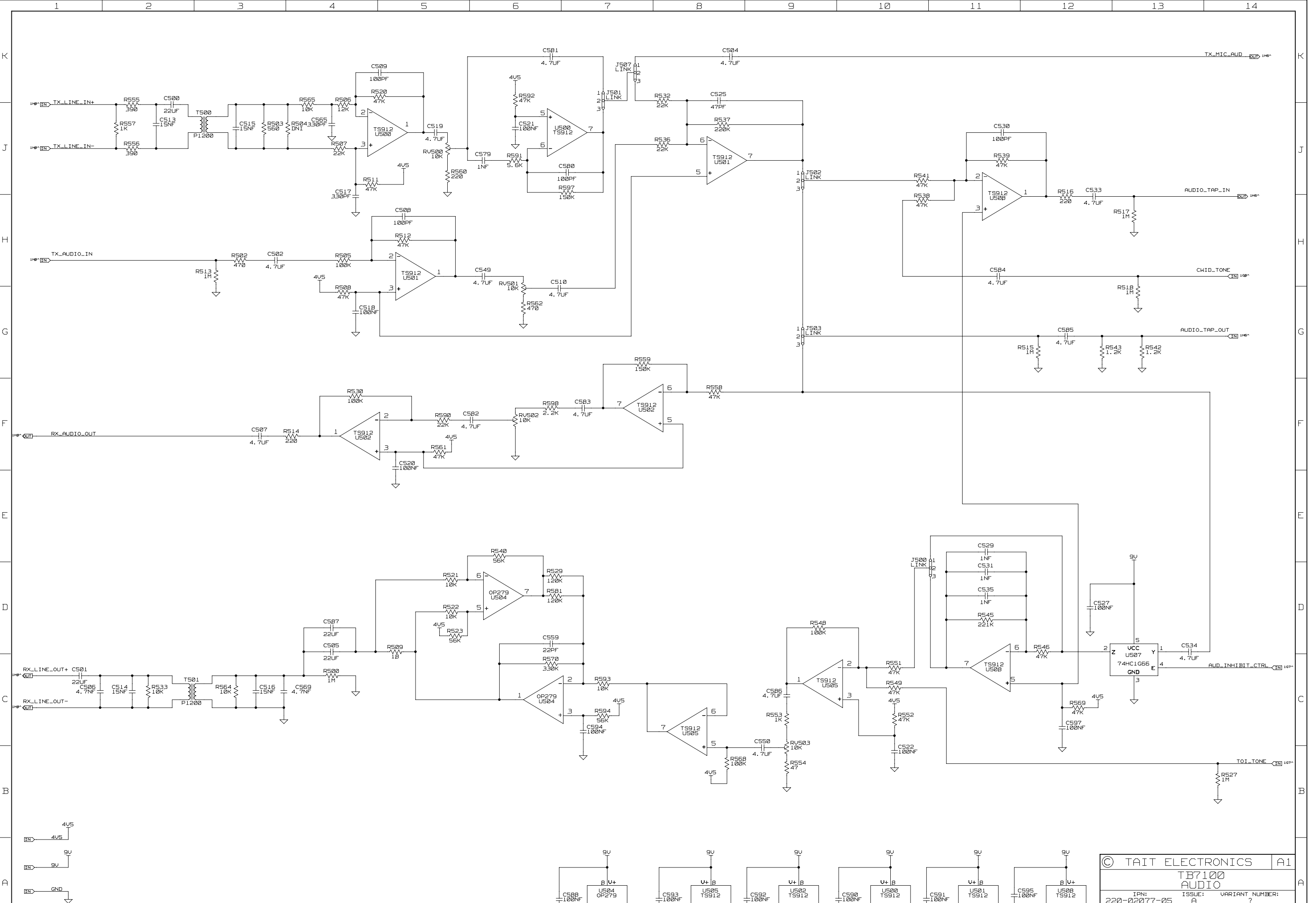
© TAIT ELECTRONICS		A1
TB7100 CONTROL		
IPN: 220-02077-05	ISSUE: A	VARIANT NUMBER: ?
FILE DATE: Mon Jul 25 10:16:55 2005		
ENGINEER: G. S.	FILE NAME: 220_02077	SHEET NUMBER: 3 OF 6

REV/ISS	AMENDMENTS	DRAWN	CHKD	D. O.	APVD	DATE
1						



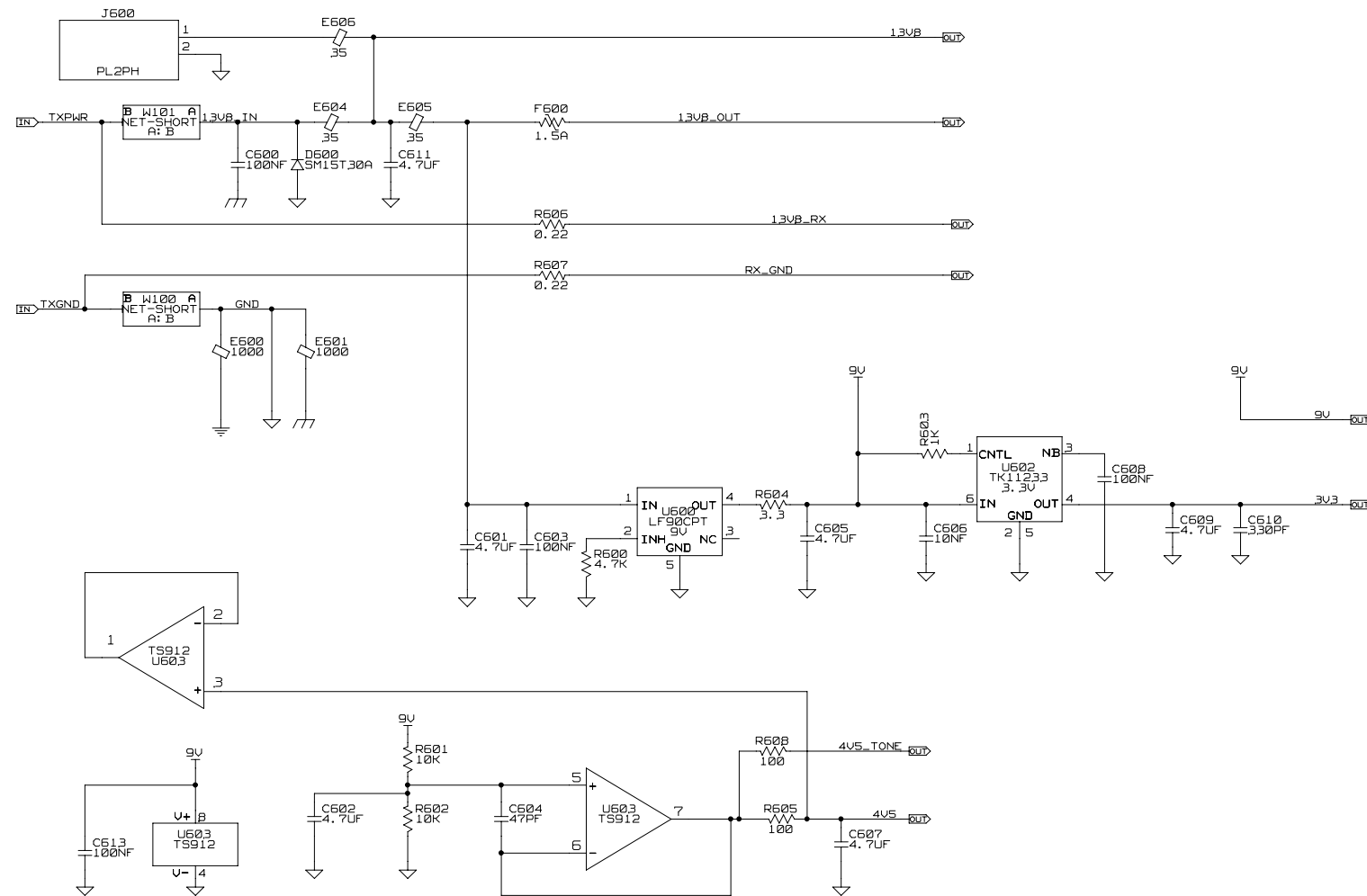
© TAIT ELECTRONICS		A1
TB7100 CONTROL2		
IPN: 220-02077-05	ISSUE: A	VARIANT NUMBER: ?
FILE DATE: Mon Jul 25 10:17:05 2005		
ENGINEER: G. S.	FILE NAME: 220_02077	SHEET NUMBER: 4 OF 6

REV/ISS	AMENDMENTS	DRAWN	CHKD	D. O.	APVD	DATE
1						
2						
3						
4						
5						



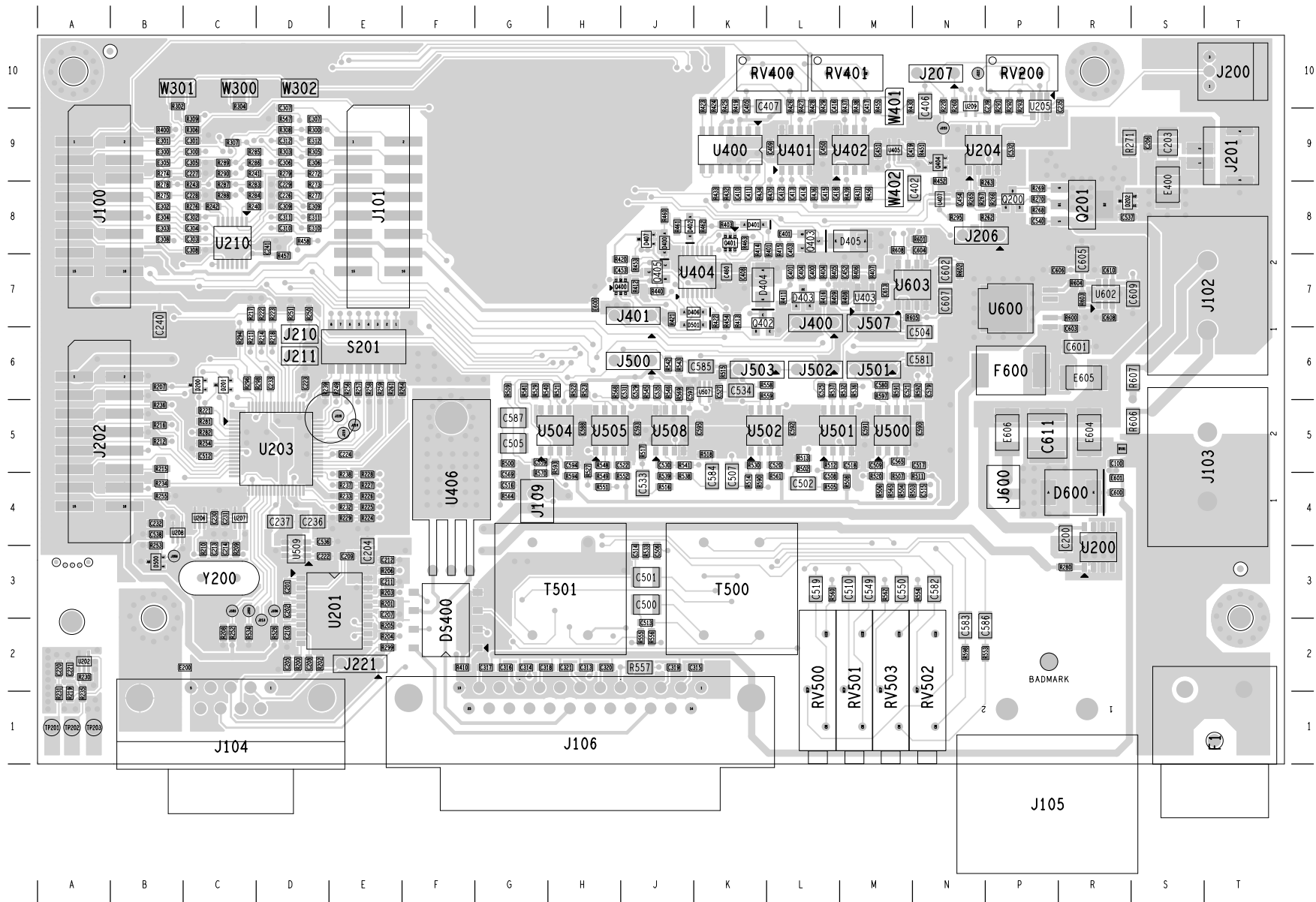
© TAIT ELECTRONICS		A1
TB7100 AUDIO		
IPN: 220-02077-05	ISSUE: A	VARIANT NUMBER: ?
FILE DATE: Mon Jul 25 10:17:03 2005		
ENGINEER: G. S.	FILE NAME: 220_02077	SHEET NUMBER: 5 OF 6

REV./ISS	AMENDMENTS	DRAWN	CHKD	D. O.	APVD	DATE
1						
2						
3						
4						
5						
6						
7						
8						
9						
10						
11						
12						
13						
14						

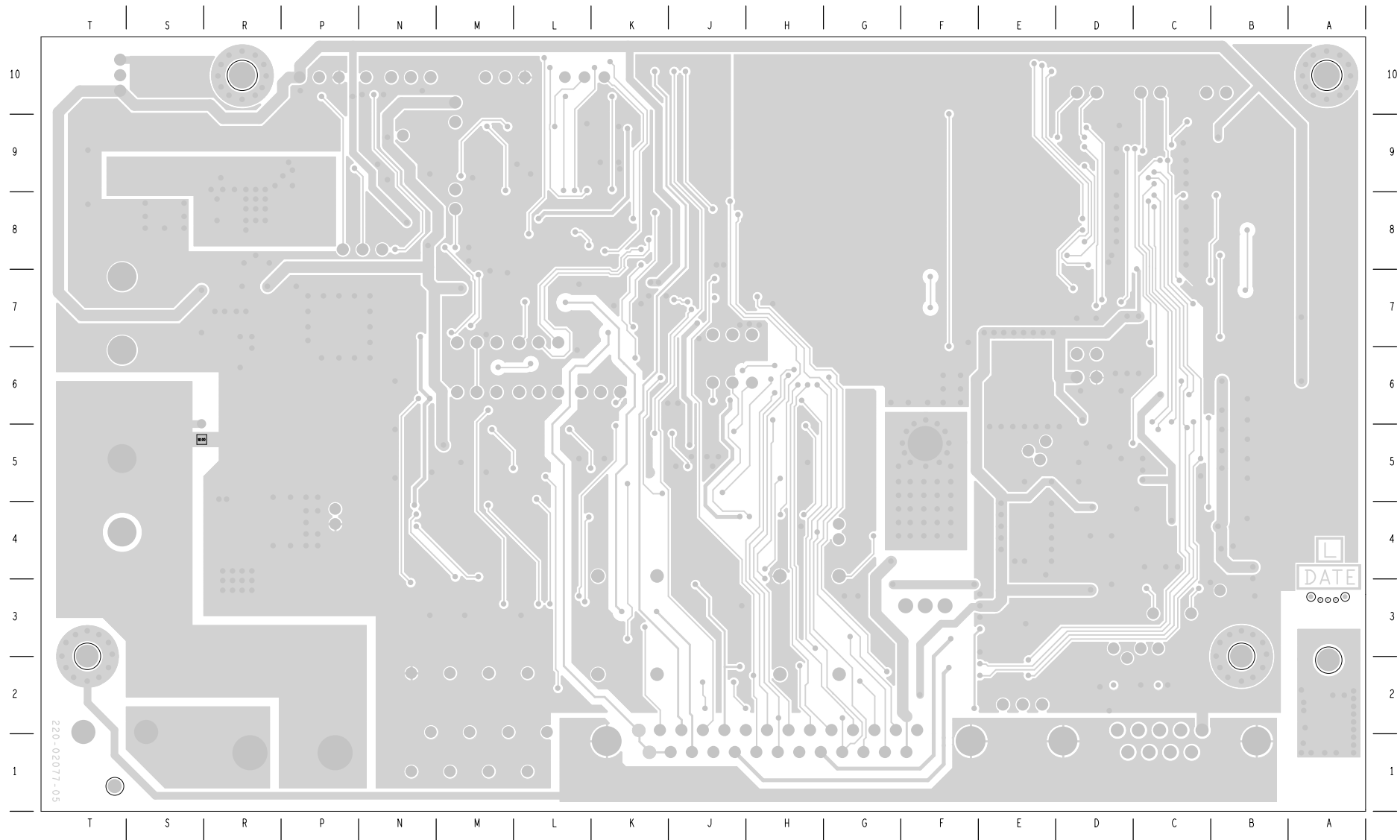


© TAIT ELECTRONICS		A1
TB7100 POWER SUPPLY		
IPN: 220-02077-05	ISSUE: A	VARIANT NUMBER: ?
FILE DATE: Mon Jul 25 10:16:53 2005		
ENGINEER: G. S.	FILE NAME: 220_02077	SHEET NUMBER: 6 OF 6

REV/ISS	AMENDMENTS	DRAWN	CHKD	D. O.	APVD	DATE
1						
2						
3						
4						
5						



TAIT ELECTRONICS	IPN:	ISS:	DATE:	SCALE:
	220-02077-05	A	9Sep05	NTS
TB7100 System Interface LAYOUT-PRIMARY-SIDE				



TAIT ELECTRONICS	IPN: 220-02077-05	ISS: A	DATE: 9Sep05	SCALE: NTS
TB7100 System Interface LAYOUT-SECONDARY-SIDE				